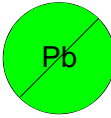


This component is RoHS compliant

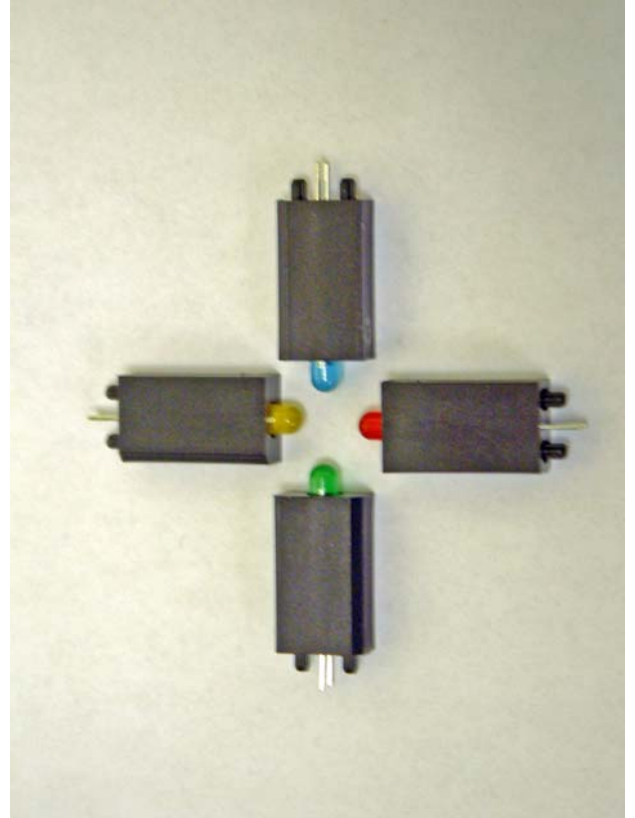


BLA 1 Series

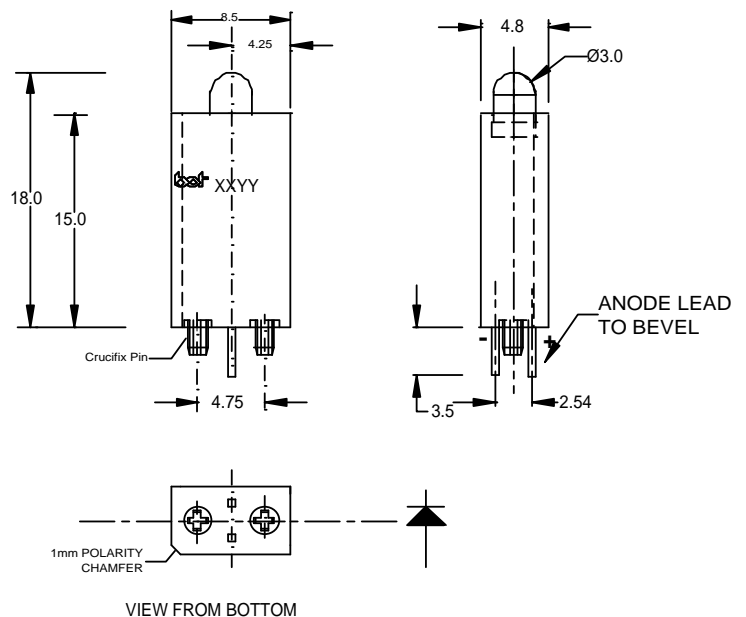
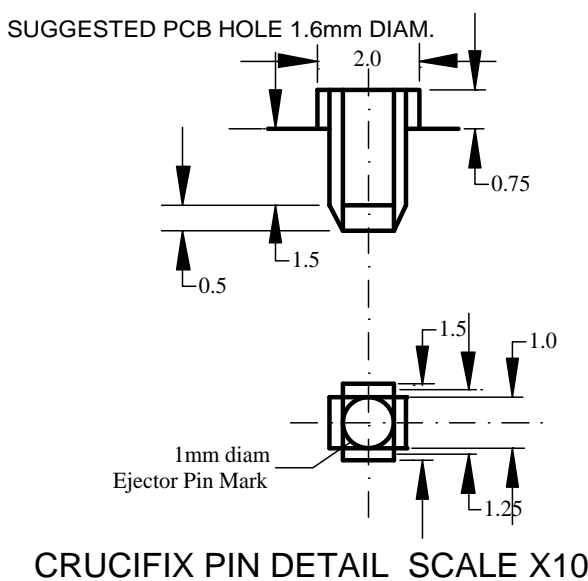
1Way 3mm LED Standoff

Description

Designed to mount a single 3mm LED 18mm from the pcb. Two pins press into 1.6mm holes in the pcb to secure the assembly during soldering. All colours available. Housing is Black Nylon 6 UL-94V0.



MECHANICAL DATA



BEDFORD OPTO TECHNOLOGY LTD
1 BIGGAR BUSINESS PARK, BIGGAR, LANARKSHIRE ML12 6FX
Tel: +44 (0) 1899 221221 Fax: +44 (0) 1899 221009
Website: bot.co.uk E-mail: bill@bot.co.uk

12.4.12 Iss A

ABSOLUTE MAXIMUM RATINGS (TA = 25°C)**BLA 1 Series**

COLOUR	R,Y,G,O	BLUE	RED/GREEN
REVERSE VOLTAGE	6Volts	5Volts	
CONTINUOUS FORWARD CURRENT	30 mA	20mA	30mA
POWER DISSIPATION Tamb 60 C	100mW	100mW	100mW
OPERATING TEMP	-40 To+100°C	-40 To+100 C	-40 To+85 C
STORAGE TEMP	-55to +100°C	-40 To+100C	-40 To +85 C
LEAD SOLDERING TEMP(1.55mm FROM BODY 5secs)	260°C	260°C	260°C

OPTO ELECTRONIC DATA (Ta = 25°C)

COLOUR		Luminous Intensity If = 10mA mcd	Peak Wavelength nm	Forward Voltage If = 20mA volts	VIEWING ANGLE deg
RED	min	6.3	-	-	60
	typ	10.0	635	2.0	
	max	-	-	3.0	
ORANGE	Min	1.6	605	2.4 3.0	60
	Typ	4.0			
	max	-			
YELLOW	min	6.3	-	-	60
	typ	10.0	585	2.4	
	max	-	-	3.0	
GREEN	min	6.3	-	-	60
	typ	12.0	565	2.4	
	max	-	-	3.0	
BLUE	min	6.3	-	-	60
	typ	12.0	428-	3.9	
	max	@20mA	-	4.5	
RED	Min	4.5	635	1.7	50
GREEN	Typ	8.0		2.6	
	Max	-		1.7	
	Min	8.0	565	2.6	50
Typ	12.0				
Max	-				

ORDERING INFORMATION

BLA 1 X WHERE X=R=RED,O=ORANGE,=GREEN,Y=YELLOW,B=BLUE,R/G=BICOLOUR

BEDFORD OPTO TECHNOLOGY LTD
1,BIGGAR BUSINESS PARK, BIGGAR,LANARKSHIRE ML12 6FX
Tel: +44 (0) 1899 221221 Fax: +44 (0) 1899 221009
Website: bot.co.uk E-mail: bill@bot.co.uk

12.4.12